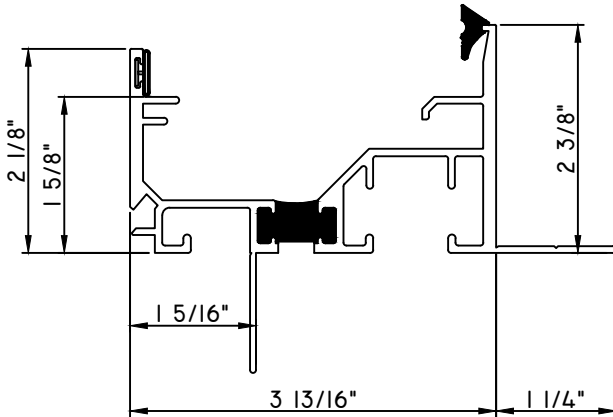


3 1/4" SUBSILLS



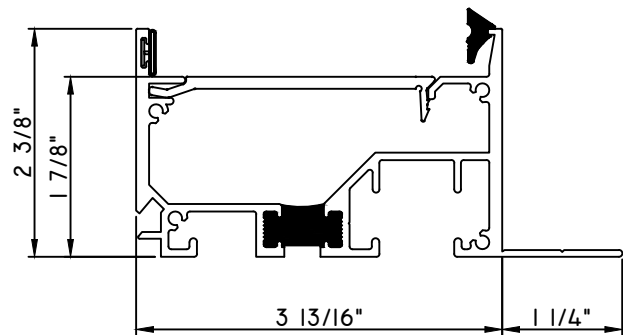
F.F. SUBSILL (10LB WATER)

M16693 - SUBSILL
BPN-9159 - W.S.
4874-02-00-19 - WEDGE GASKET

MUST BE USED WITH RECEPTOR:

M16694

INSTALL TYPE:
PREASSEMBLED



SUBSILL (10LB WATER)

M17539 - SUBSILL
BPN-9159 - W.S.
4874-02-00-19 - WEDGE GASKET
ADDITIONAL PARTS FOR SQUARE CUT INSTALL:
QWP-10LBENDDAM - END DAM (QTY. 2)
BRBTT46 - POP RIVET (QTY. 8)

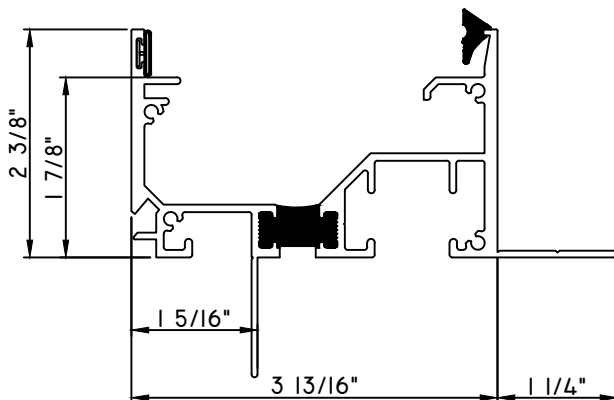
MUST BE USED WITH RECEPTOR:
M17541 OR (M17542 EXTERIOR INSTALL ONLY)

INSTALL TYPE:
PREASSEMBLED OR SQUARE CUT IN FIELD

ANCHOR PLATE FOR STANDARD SUBSILL

M16718 - ANCHOR PLATE

CAN ONLY BE USED WITH STANDARD SUBSILLS
MUST BE USED AT ALL T-MULL LOCATIONS



F.F. SUBSILL (10LB WATER)

M17538 - SUBSILL
BPN-9159 - W.S.
4874-02-00-19 - WEDGE GASKET
ADDITIONAL PARTS FOR SQUARE CUT INSTALL:
QWP-10LBENDDAM - END DAM (QTY. 2)
BRBTT46 - POP RIVET (QTY. 8)

MUST BE USED WITH RECEPTOR:

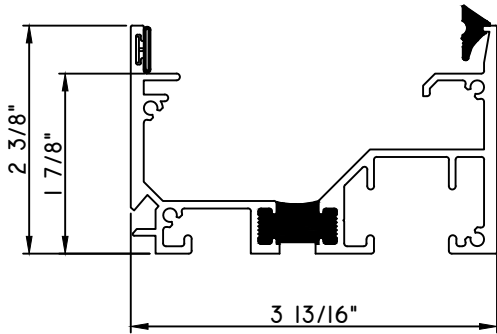
M16694

INSTALL TYPE:
PREASSEMBLED OR SQUARE CUT IN FIELD

SCALE 1:2



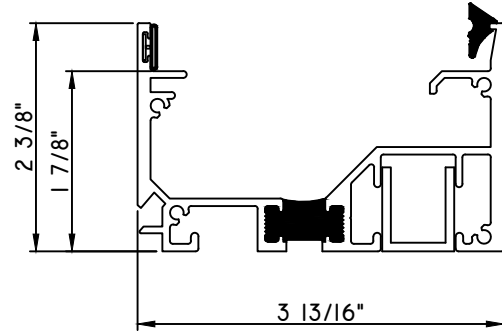
3 1/4" SUBSILLS



SUBSILL (10LB WATER)

M18097 - SUBSILL
 BPN-9159 - W.S.
 4874-02-00-19 - WEDGE GASKET
ADDITIONAL PARTS FOR SQUARE CUT INSTALL:
 QWP-10LBENDDAM - END DAM (QTY. 2)
 BRBTT46 - POP RIVET (QTY. 8)

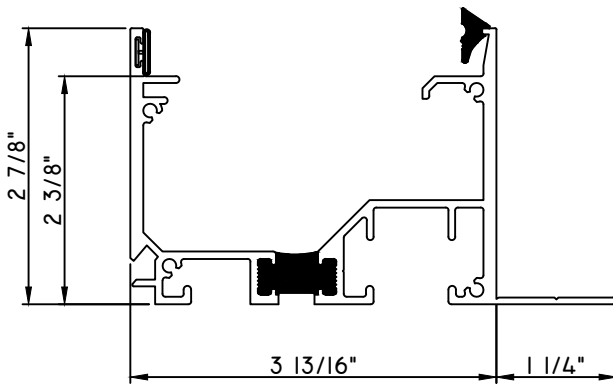
MUST BE USED WITH RECEPTOR:
 M17541 OR (M17542 EXTERIOR INSTALL ONLY)
INSTALL TYPE:
 PREASSEMBLED OR SQUARE CUT IN FIELD



SUBSILL W/ U CHANNEL (10LB WATER)

M18097 - SUBSILL
 U CHANNEL - M19071
 BPN-9159 - W.S.
 4874-02-00-19 - WEDGE GASKET
ADDITIONAL PARTS FOR SQUARE CUT INSTALL:
 QWP-10LBENDDAM - END DAM (QTY. 2)
 BRBTT46 - POP RIVET (QTY. 8)

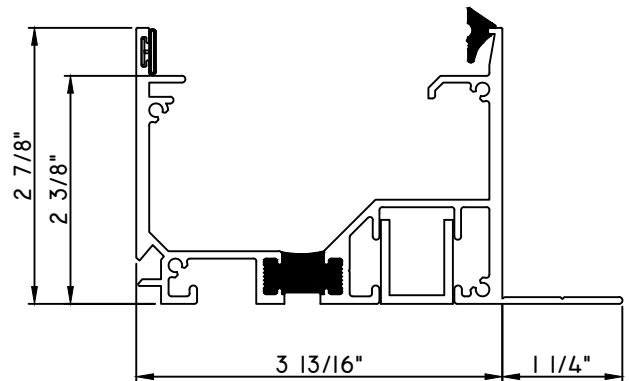
MUST BE USED WITH RECEPTOR:
 M17541 OR (M17542 EXTERIOR INSTALL ONLY)
INSTALL TYPE:
 PREASSEMBLED OR SQUARE CUT IN FIELD



SUBSILL (12LB WATER)

M17540 - SUBSILL
 BPN-9159 - W.S.
 4874-02-00-19 - WEDGE GASKET
ADDITIONAL PARTS FOR SQUARE CUT INSTALL:
 QWP-12LBENDDAM - END DAM (QTY. 2)
 BRBTT46 - POP RIVET (QTY. 8)

MUST BE USED WITH RECEPTOR:
 M17541 OR (M17542 EXTERIOR INSTALL ONLY)
INSTALL TYPE:
 PREASSEMBLED OR SQUARE CUT IN FIELD



SUBSILL W/ U CHANNRL(12LB WATER)

M17540 - SUBSILL
 BPN-9159 - W.S.
 4874-02-00-19 - WEDGE GASKET
ADDITIONAL PARTS FOR SQUARE CUT INSTALL:
 QWP-12LBENDDAM - END DAM (QTY. 2)
 BRBTT46 - POP RIVET (QTY. 8)

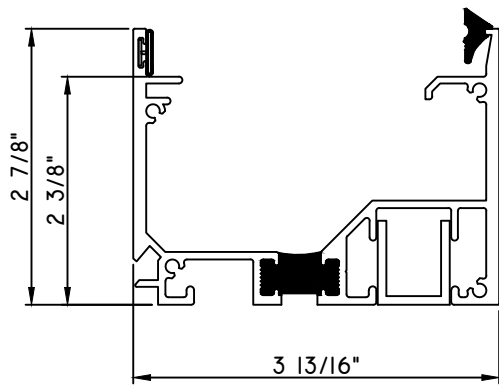
MUST BE USED WITH RECEPTOR:
 M17541 OR (M17542 EXTERIOR INSTALL ONLY)
INSTALL TYPE:
 PREASSEMBLED OR SQUARE CUT IN FIELD

SCALE 1:2



QUAKER
COMMERCIAL

3 1/4" SUBSILLS



SUBSILL (12LB WATER)

M24952 - SUBSILL
BPN-9159 - W.S.

4874-02-00-19 - WEDGE GASKET

ADDITIONAL PARTS FOR SQUARE CUT INSTALL:

QWP-12LBENDDAM - END DAM (QTY. 2)

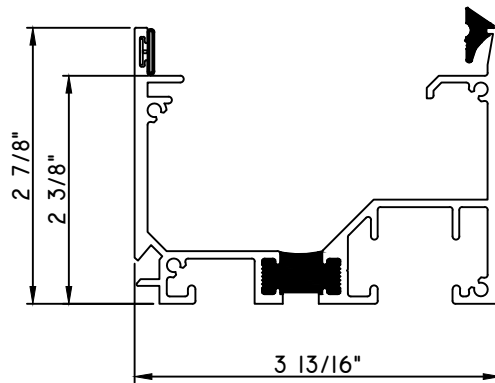
BRBTT46 - POP RIVET (QTY. 8)

MUST BE USED WITH RECEPTOR:

M17541 OR (M17542 EXTERIOR INSTALL ONLY)

INSTALL TYPE:

PREASSEMBLED OR SQUARE CUT IN FIELD



SUBSILL (12LB WATER)

M24952 - SUBSILL
BPN-9159 - W.S.

4874-02-00-19 - WEDGE GASKET

ADDITIONAL PARTS FOR SQUARE CUT INSTALL:

QWP-12LBENDDAM - END DAM (QTY. 2)

BRBTT46 - POP RIVET (QTY. 8)

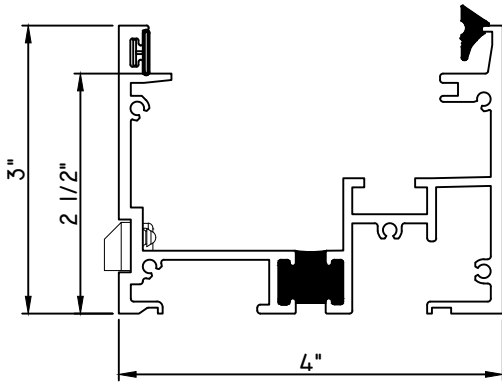
MUST BE USED WITH RECEPTOR:

M17541 OR (M17542 EXTERIOR INSTALL ONLY)

INSTALL TYPE:

PREASSEMBLED OR SQUARE CUT IN FIELD

3 1/4" SUBSILLS



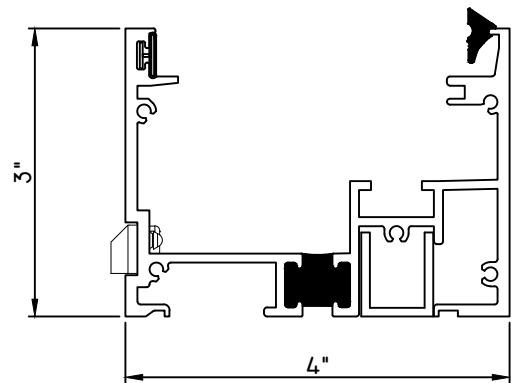
SUBSILL (10LB WATER)

- M21047 - SUBSILL
- BPN-9159 - W.S.
- 4874-02-00-19 - WEDGE GASKET
- QWP-M21047 - END DAM (QTY. 2)
- BRBTT46 - POP RIVET (QTY. 10)
- 1211 - WEEP COVERS

MUST BE USED WITH RECEPTOR:

M18871

INSTALL TYPE:
SQUARE CUT IN FIELD



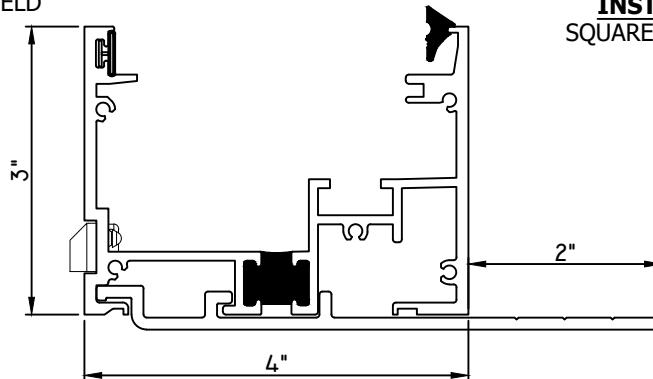
SUBSILL W/ U CHANNEL (10LB WATER)

- M21047 - SUBSILL
- U CHANNEL - M19071
- BPN-9159 - W.S.
- 4874-02-00-19 - WEDGE GASKET
- QWP-M21047 - END DAM (QTY. 2)
- BRBTT46 - POP RIVET (QTY. 10)
- 1211 - WEEP COVERS

MUST BE USED WITH RECEPTOR:

M18871

INSTALL TYPE:
SQUARE CUT IN FIELD



SUBSILL W/ ANCHOR STRAP (10LB WATER)

- M21047 - SUBSILL
- ANCHOR STRAP - M21092
- BPN-9159 - W.S.
- 4874-02-00-19 - WEDGE GASKET
- QWP-M21047 - END DAM (QTY. 2)
- BRBTT46 - POP RIVET (QTY. 10)
- 1211 - WEEP COVERS

MUST BE USED WITH RECEPTOR:

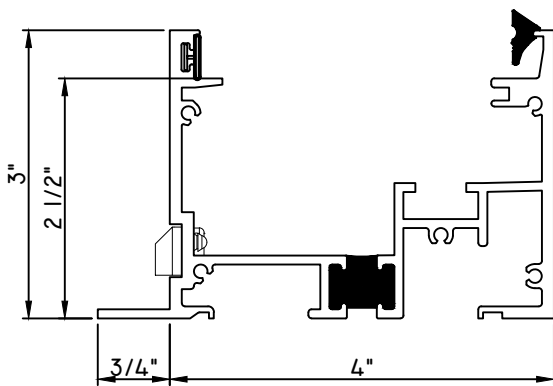
M18871

INSTALL TYPE:
SQUARE CUT IN FIELD



QUAKER
C O M M E R C I A L

3 1/4" SUBSILLS



SUBSILL (10LB WATER)

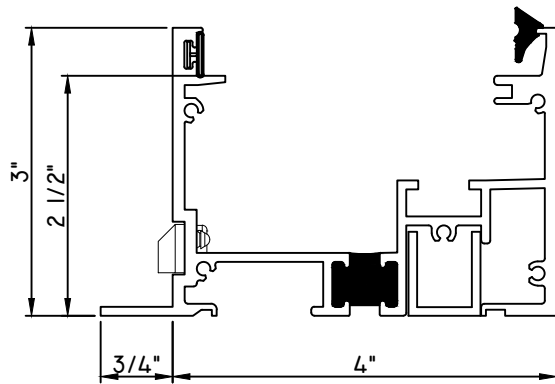
- M21079 - SUBSILL
- BPN-9159 - W.S.
- 4874-02-00-19 - WEDGE GASKET
- QWP-M21047 - END DAM (QTY. 2)
- BRBTT46 - POP RIVET (QTY. 10)
- 1211 - WEEP COVERS

MUST BE USED WITH RECEPTOR:

M18871

INSTALL TYPE:

SQUARE CUT IN FIELD



SUBSILL (10LB WATER)

- M21079 - SUBSILL
- U CHANNEL - M19071
- BPN-9159 - W.S.
- 4874-02-00-19 - WEDGE GASKET
- QWP-M21047 - END DAM (QTY. 2)
- BRBTT46 - POP RIVET (QTY. 10)
- 1211 - WEEP COVERS

MUST BE USED WITH RECEPTOR:

M18871

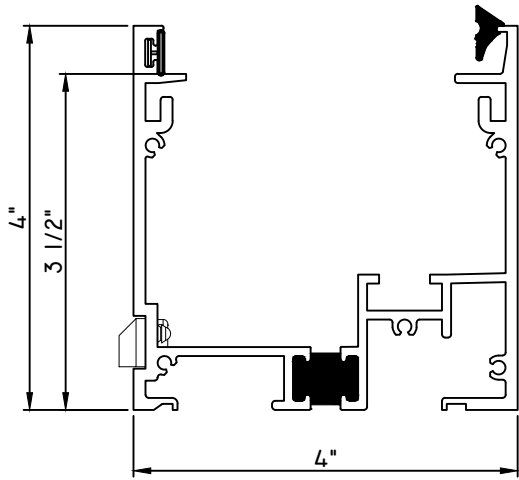
INSTALL TYPE:

SQUARE CUT IN FIELD



QUAKER
COMMERCIAL

3 1/4" SUBSILLS



SUBSILL (12LB WATER)

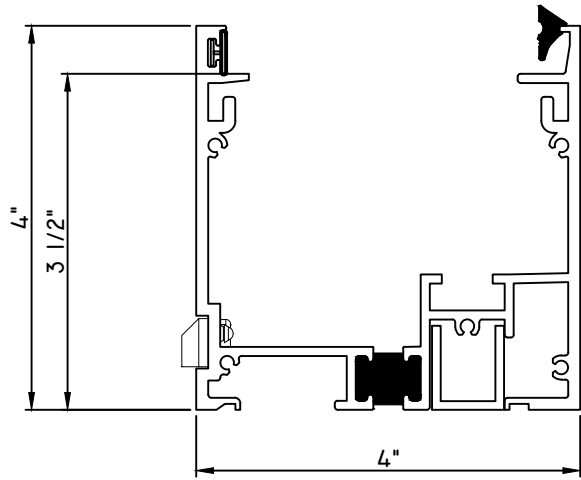
- M22287 - SUBSILL
- BPN-9159 - W.S.
- 4874-02-00-19 - WEDGE GASKET
- QWP-083117 - END DAM (QTY. 2)
- BRBTT46 - POP RIVET (QTY. 10)
- 1211 - WEEP COVERS

MUST BE USED WITH RECEPTOR:

M17376, M17377 OR M18871

INSTALL TYPE:

SQUARE CUT IN FIELD



SUBSILL (12LB WATER)

- M22287 - SUBSILL
- U CHANNEL - M19071
- BPN-9159 - W.S.
- 4874-02-00-19 - WEDGE GASKET
- QWP-083117 - END DAM (QTY. 2)
- BRBTT46 - POP RIVET (QTY. 10)
- 1211 - WEEP COVERS

MUST BE USED WITH RECEPTOR:

M17376, M17377 OR M18871

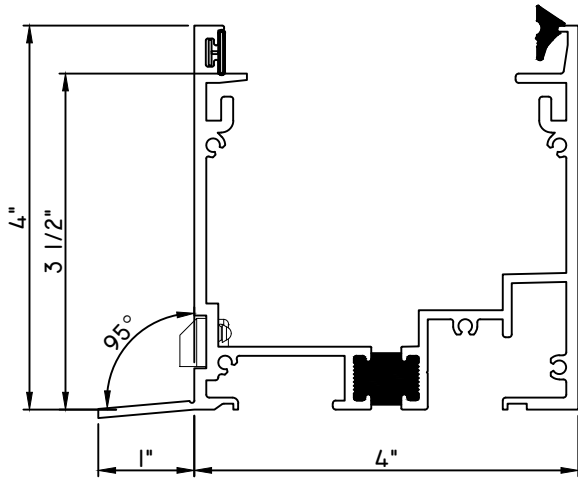
INSTALL TYPE:

SQUARE CUT IN FIELD



QUAKER
COMMERCIAL

3 1/4" SUBSILLS



SUBSILL (12LB WATER)

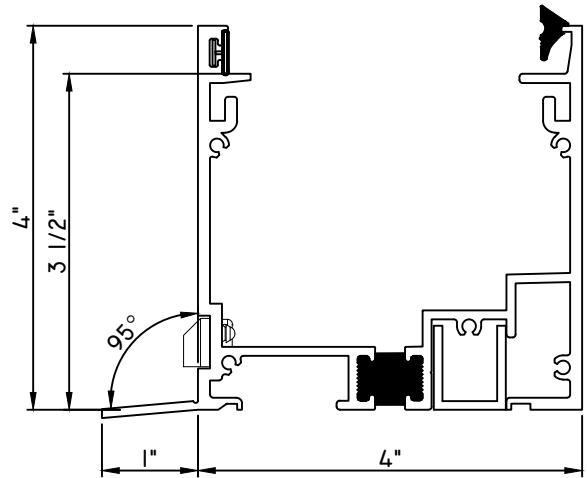
M17379 - SUBSILL
BPN-9159 - W.S.
4874-02-00-19 - WEDGE GASKET
QWP-083117 - END DAM (QTY. 2)
BRBTT46 - POP RIVET (QTY. 10)
1211 - WEEP COVERS

MUST BE USED WITH RECEPTOR:

M17376, M17377 OR M18871

INSTALL TYPE:

SQUARE CUT IN FIELD



SUBSILL (12LB WATER)

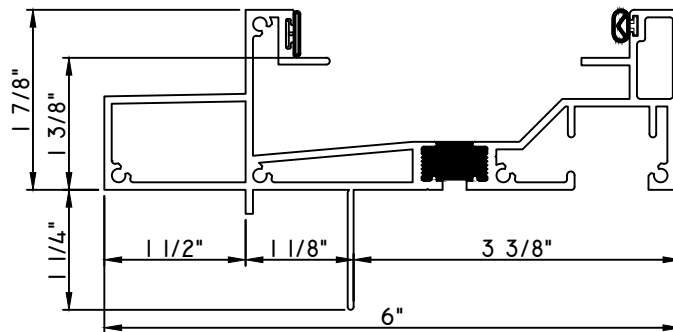
M17379 - SUBSILL
U CHANNEL - M19071
BPN-9159 - W.S.
4874-02-00-19 - WEDGE GASKET
QWP-083117 - END DAM (QTY. 2)
BRBTT46 - POP RIVET (QTY. 10)
1211 - WEEP COVERS

MUST BE USED WITH RECEPTOR:

M17376, M17377 OR M18871

INSTALL TYPE:

SQUARE CUT IN FIELD



SUBSILL

M24070 - SUBSILL
BPN-9159 - OUTSIDE W.S.
51518KN - INSIDE W.S.

MUST BE USED WITH RECEPTOR:

M24068

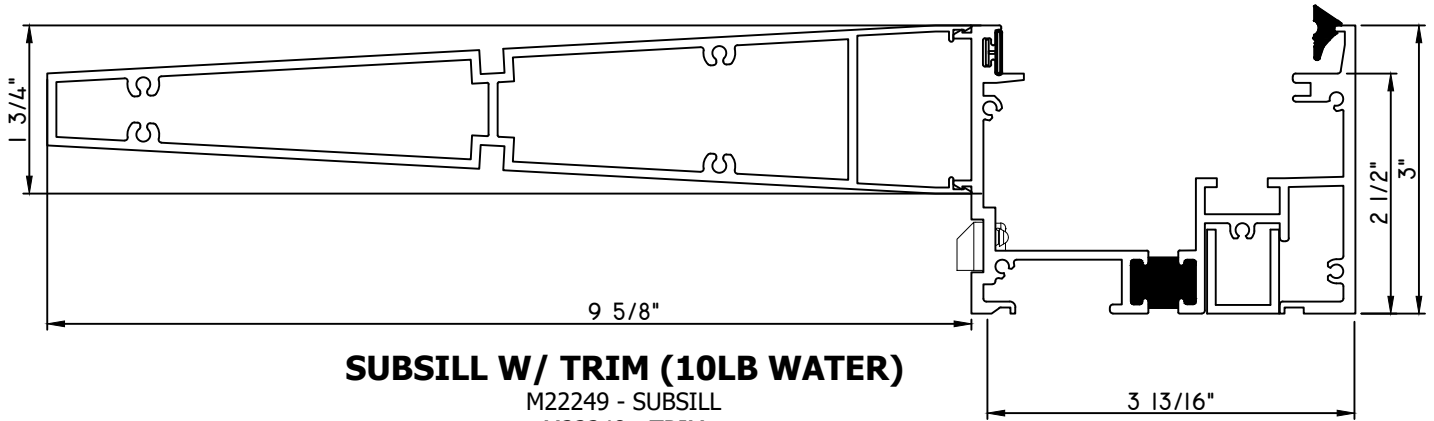
INSTALL TYPE:

PREASSEMBLED



QUAKER
COMMERCIAL

3 1/4" SUBSILLS



SUBSILL W/ TRIM (10LB WATER)

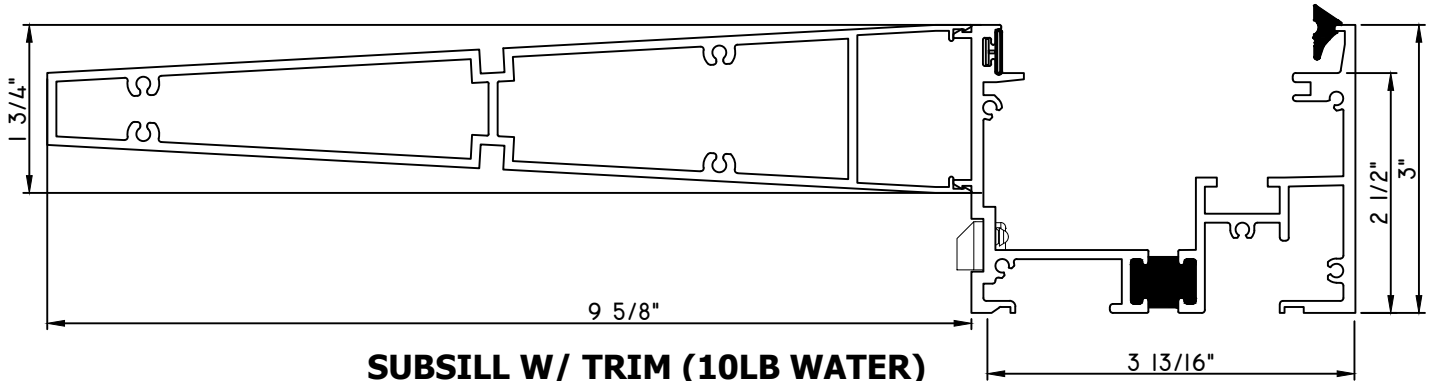
- M22249 - SUBSILL
- M22248 - TRIM
- U CHANNEL - M19071
- BPN-9159 - W.S.
- 4874-02-00-19 - WEDGE GASKET
- QWP-M21047 - END DAM (QTY. 2)
- BRBTT46 - POP RIVET (QTY. 10)
- 1211 - WEEP COVERS

MUST BE USED WITH RECEPTOR:

M22250

INSTALL TYPE:

SQUARE CUT IN FIELD



SUBSILL W/ TRIM (10LB WATER)

- M22249 - SUBSILL
- M22248 - TRIM
- BPN-9159 - W.S.
- 4874-02-00-19 - WEDGE GASKET
- QWP-M21047 - END DAM (QTY. 2)
- BRBTT46 - POP RIVET (QTY. 10)
- 1211 - WEEP COVERS

MUST BE USED WITH RECEPTOR:

M22250

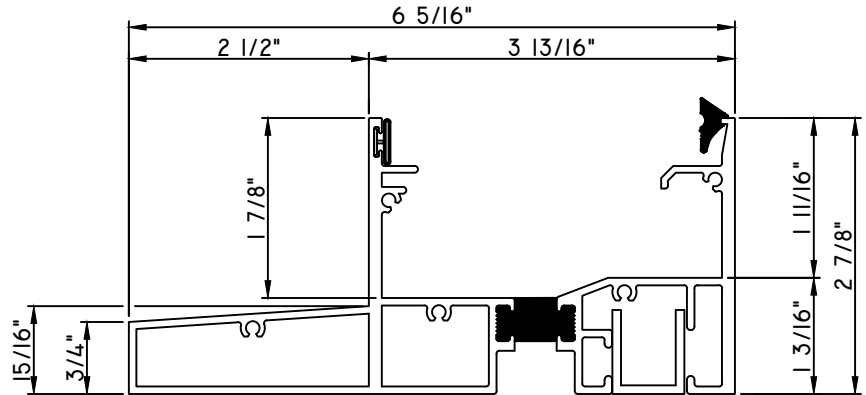
INSTALL TYPE:

SQUARE CUT IN FIELD



QUAKER
COMMERCIAL

3 1/4" SUBSILLS



SUBSILL W/ TRIM (10LB WATER)

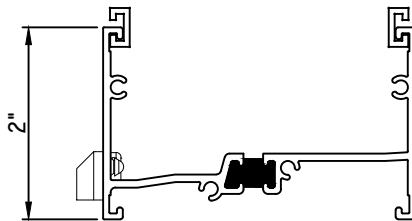
M24786 - SUBSILL
BPN-9159 - W.S.
4874-02-00-19-WEDGE GASKET
MH8-18X1 LP-FASTENER (QTY. 16)
U CHANNEL - M19071

MUST BE USED WITH RECEPTOR:

M24785 RECEPTOR

INSTALL TYPE:

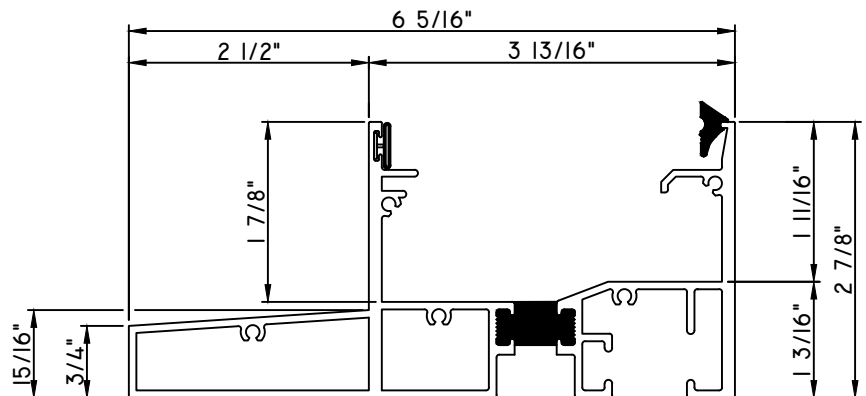
PREASSEMBLED



2" SUBSILL

M16318 - SUBSILL
M6270 - C-MULL (QTY. 2)
72406 - END DAM (QTY. 2)
BRBTT46 - POP RIVET (QTY. 8)
970-300 - WEEP COVER

FACTORY APPLIED INSTALL ONLY



SUBSILL W/ TRIM (10LB WATER)

M24786 - SUBSILL
BPN-9159 - W.S.
4874-02-00-19-WEDGE GASKET
MH8-18X1 LP-FASTENER (QTY. 16)

MUST BE USED WITH RECEPTOR:

M24785 RECEPTOR

INSTALL TYPE:

PREASSEMBLED